

ASSOCIATE CONTRACTOR AGREEMENT

BRIEFING TO SPACE STATION PROGRAM ADVISORY COMMITTEE

January 24, 1989

Objectives

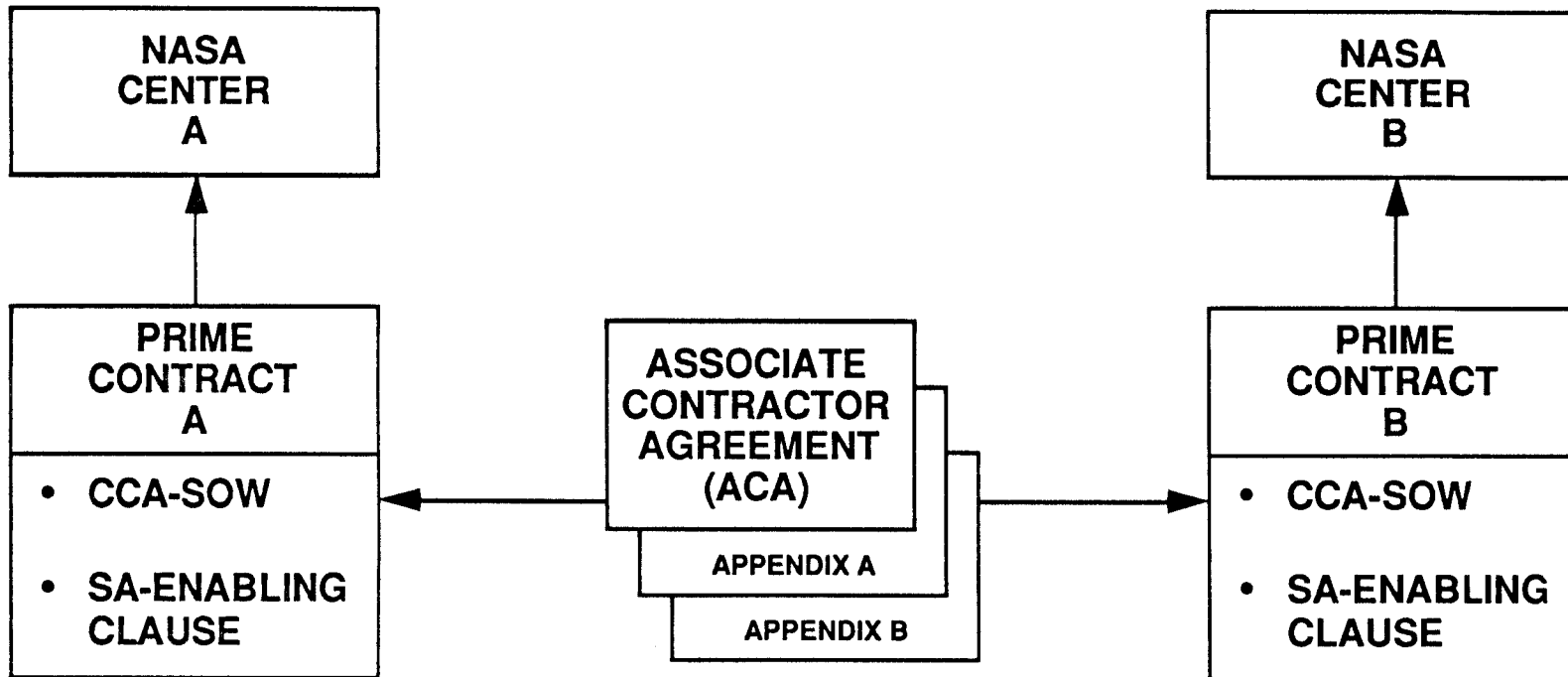
GOAL:

- **To simplify the program intersite delivery management process**

BY:

- **Creating SSP associate contracts relationships**

Associate Contractor Implementation Elements



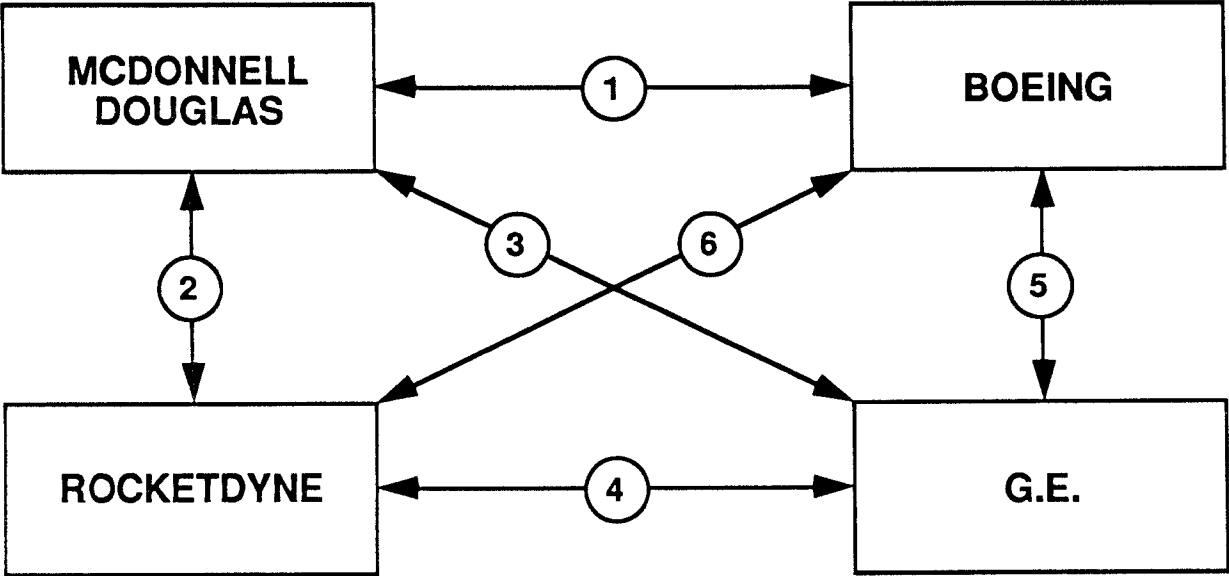
CCA: CONTRACT CHANGE AUTHORIZATION
SA: SUPPLEMENTAL AGREEMENT
SOW: STATEMENT OF WORK

Associate Contractor Agreement Adds Common Tasks in SOW ¹

- Management of associate contracts process
- Travel and non-labor support
- Resident interface management offices
- Exchange data, drawings, reports
- Schedule and manage intersite deliveries
- Pre- and post-delivery support
- Spares provisioning for schedule protection

(1) To the extent not covered by prime contract.

Six Associate Contractor Relationships Cover Prime Contracts



Intersite Delivery Obligations

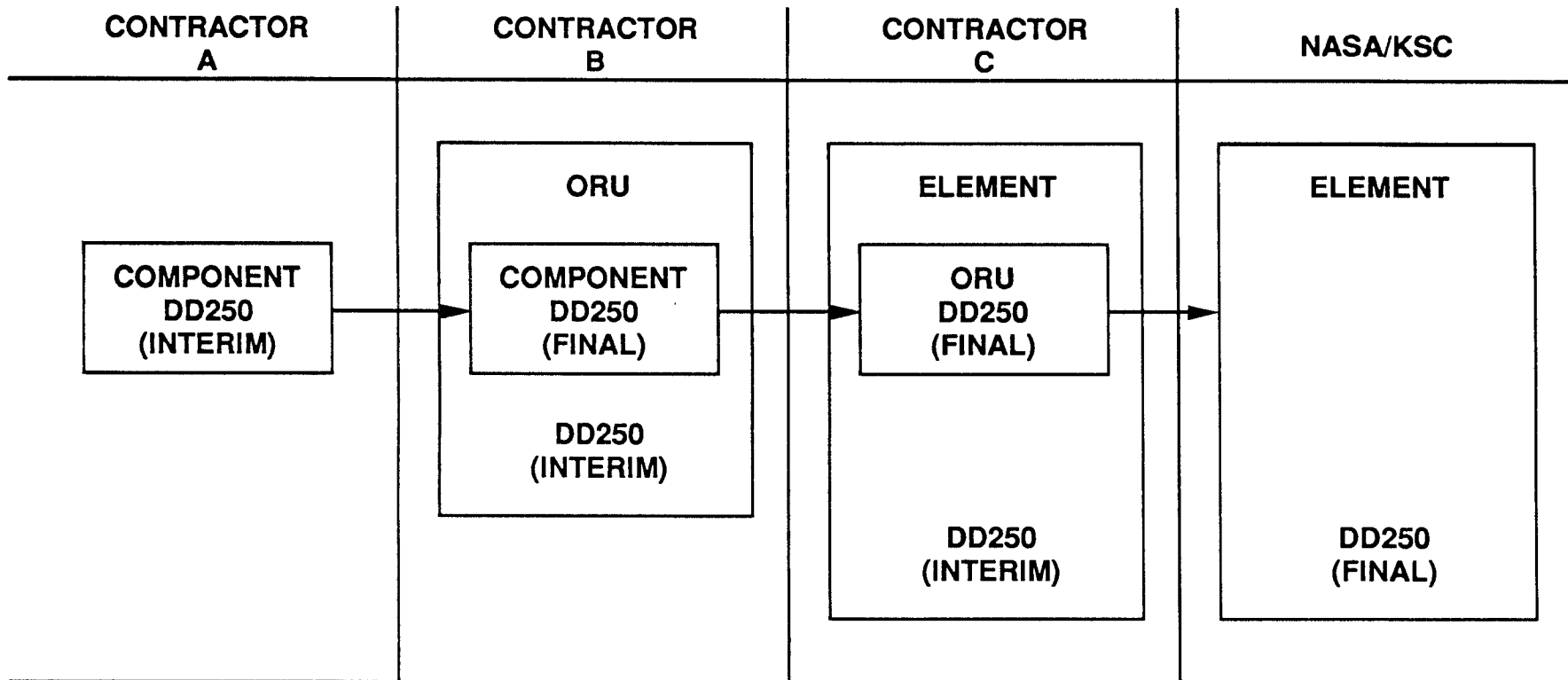
Provider

- **Concur with assembly / test procedures and provide use instruction and training**
- **Coordinate schedules; develop workarounds**
- **Provide special test and checkout equipment, spares, and support team at associates**
- **Support next higher level DCR / FRR process**
- **Review / comment on plans for integration and application of GFE**
- **Provide facilities for associates**

Recipient

- **Review / concur on specifications and acceptance test procedures and witness tests**
- **Coordinate schedules; develop workarounds**
- **Provide**
 - Facilities for associates
 - Personnel to be trained
 - Disassembly / deintegration and records/ logs
- **At FRR certify element including intercompany hardware**

Typical Property Transfer Sequence (Interim DD-250 Approach)



- INTERIM - PQA BOX SIGNOFF AT ORIGIN
- FINAL - ACCEPTANCE BOX SIGNOFF AT NEXT HIGHER ASSEMBLY DESTINATION