

March 12, 1946.

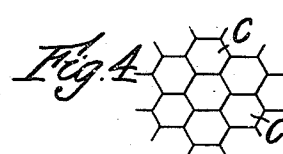
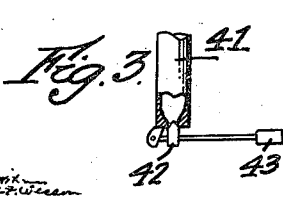
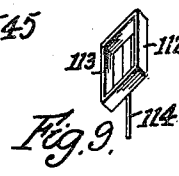
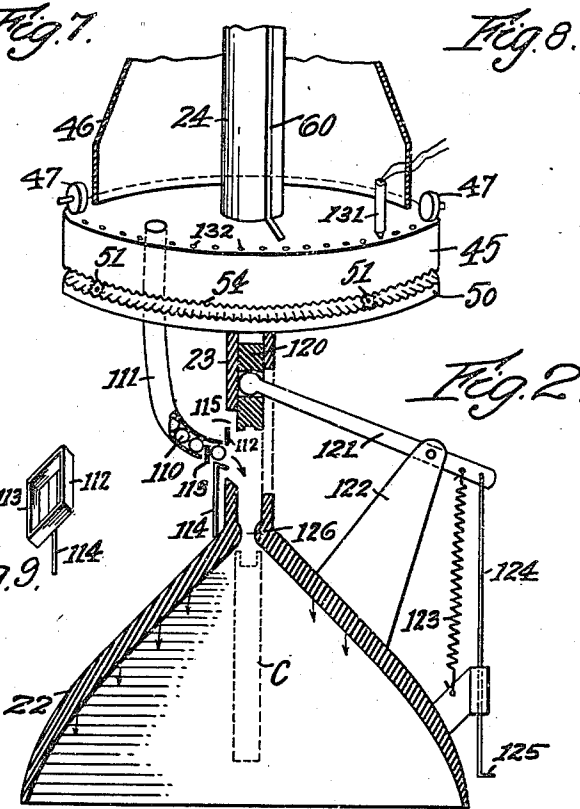
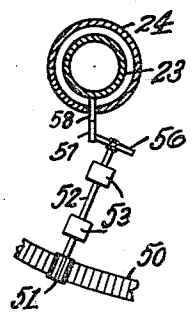
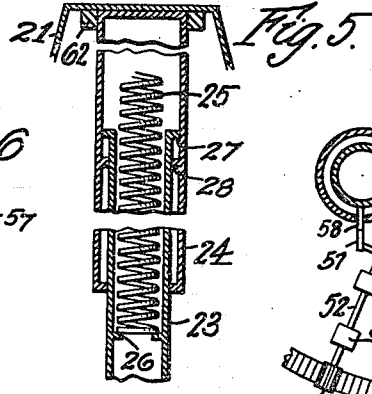
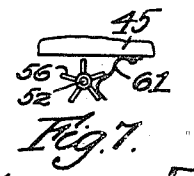
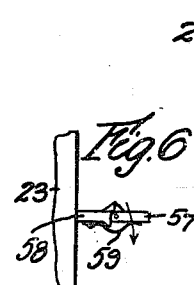
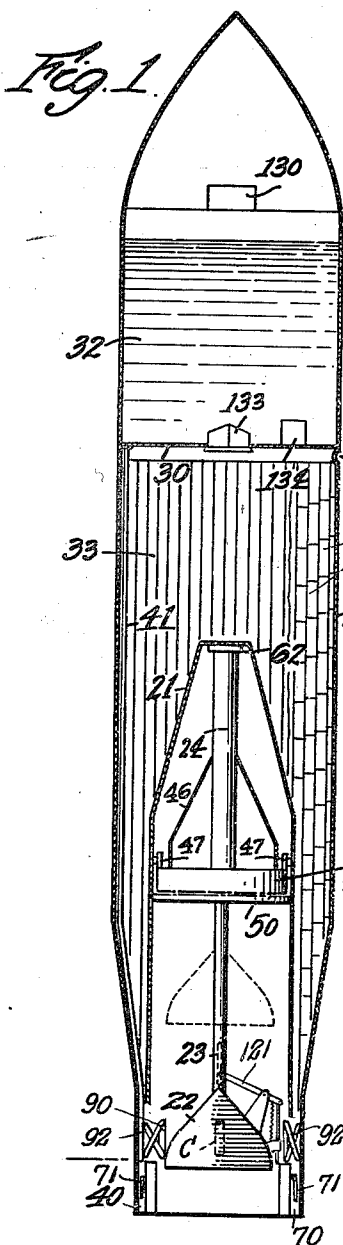
R. H. GODDARD

2,396,566

ROCKET APPARATUS

Filed May 15, 1939

4 Sheets-Sheet 1



Inventor  
Robert H. Goddard  
By attorney  
Charles P. Hawley

W. H. W. W.